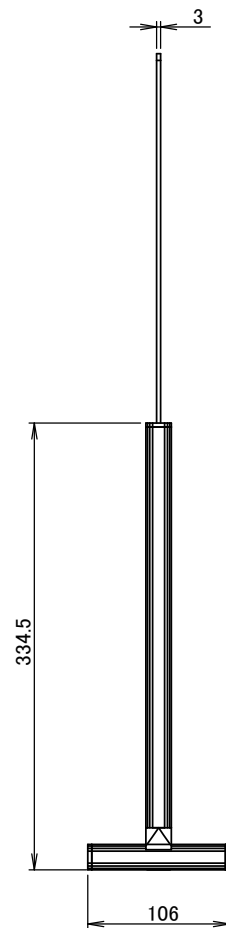
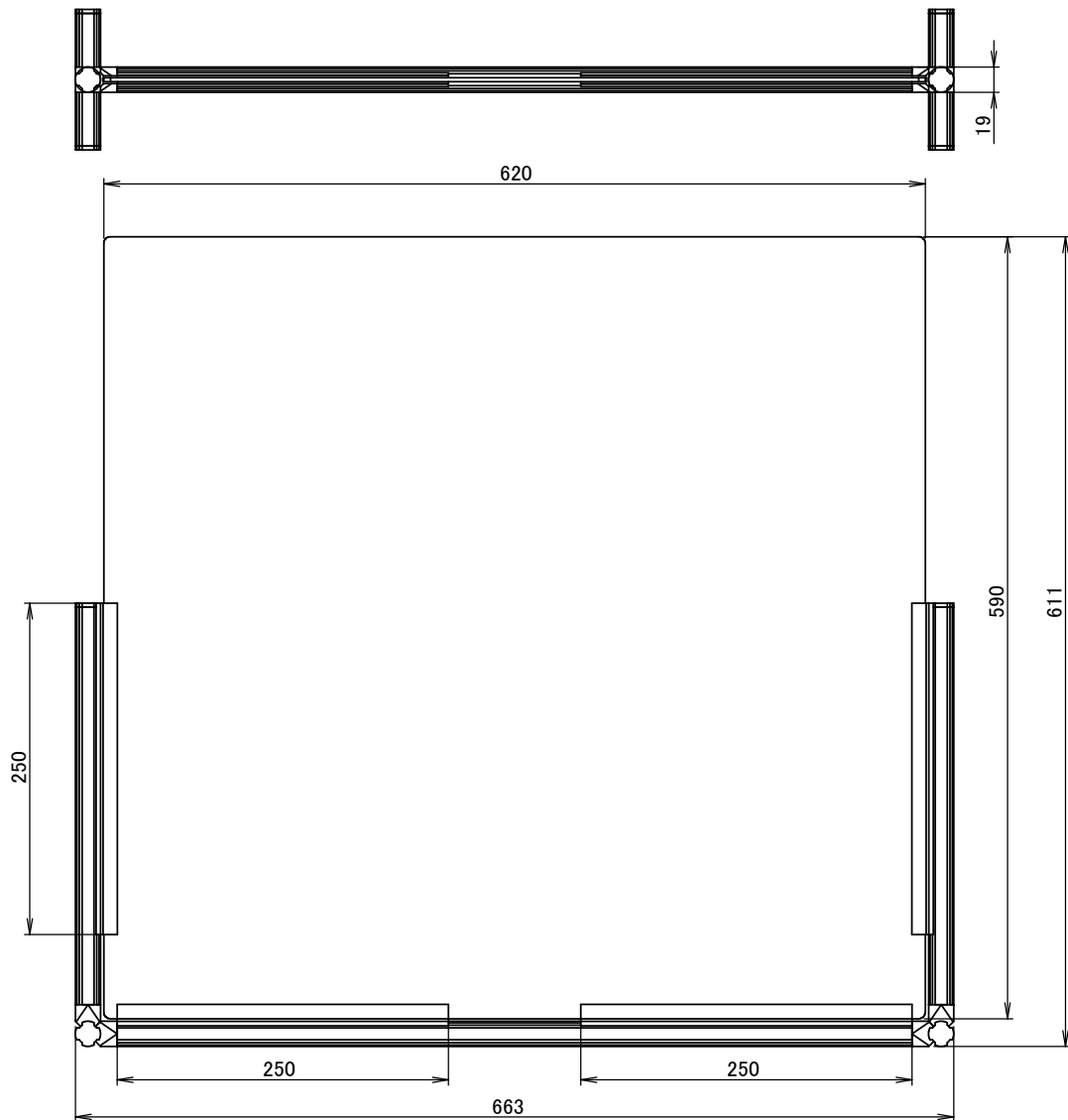


|           |          |
|-----------|----------|
| Unit Name | タイプB     |
| Item No.  | SGF-0348 |

| NO. | Item No. | Part name                        | 寸法  | 寸法B | Qty |
|-----|----------|----------------------------------|-----|-----|-----|
| 1   | SGF-0046 | GFunフレームS 100mm                  | 100 |     | 2   |
| 2   | SGF-0065 | GFunインナーキャップS                    |     |     | 6   |
| 3   | SGF-0043 | GFunフレームS 600mm                  | 600 |     | 1   |
| 4   | SGF-0048 | GFunマルチコネクタインナーS                 |     |     | 4   |
| 5   | SGF-0045 | GFunフレームS 300mm                  | 300 |     | 2   |
| 6   | SGF-0063 | GFunパネルホルダS t3用500mm (250mmにカット) | 250 |     | 4   |
| 7   | SGF-0343 | ペット 透明 t3x 620x 590              | 620 | 590 | 1   |



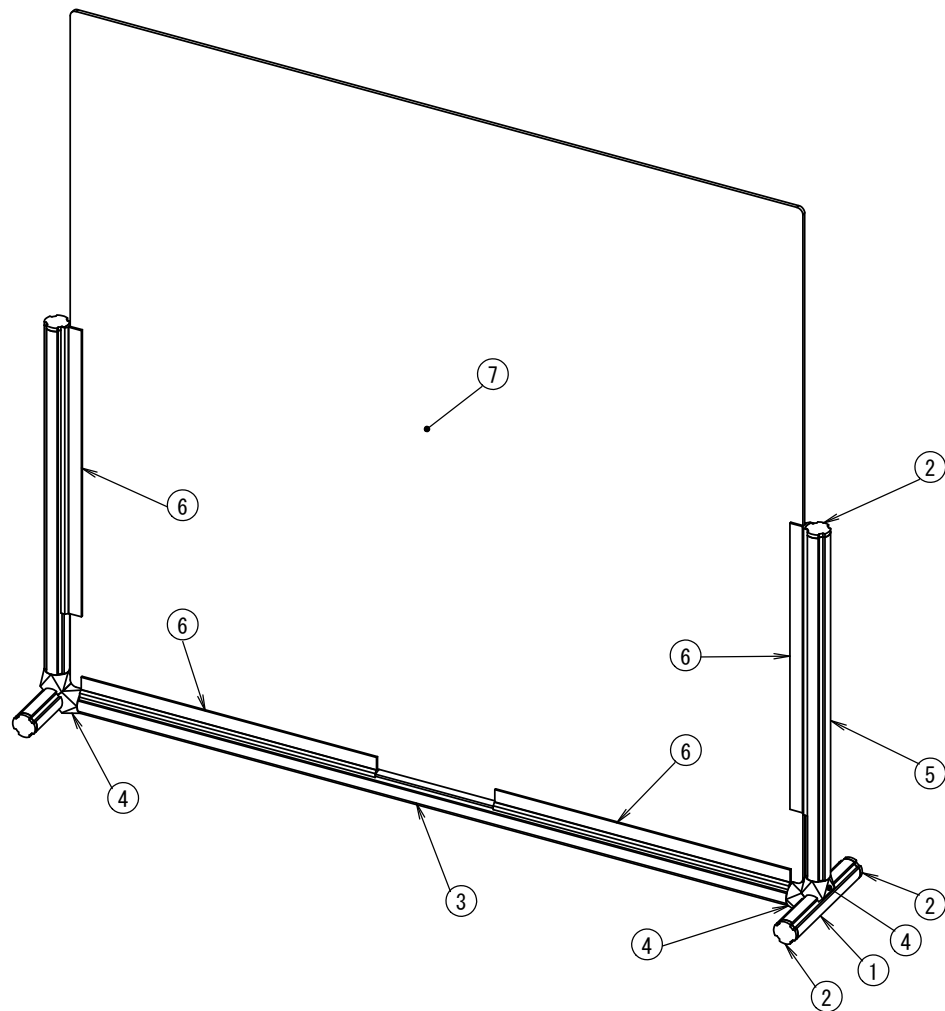
| No. | DATE | NAME | REVISION | CHECKED |
|-----|------|------|----------|---------|
| 4   |      |      |          |         |
| 3   |      |      |          |         |
| 2   |      |      |          |         |
| 1   |      |      |          |         |

ASSEMBLY NAME テスク用パーティション

**SUS Corporation**

|                |                  |        |        |         |          |     |  |
|----------------|------------------|--------|--------|---------|----------|-----|--|
| CUSTOMER / 顧客名 |                  |        |        | 殿向      |          |     |  |
| SCALE 1:5      | DATE 2020/Apr/23 | DRAWN① | DRAWN② | CHECKED | APPROVED |     |  |
| DWG No.        |                  |        |        | REV.    |          | 1/2 |  |

|           |          |
|-----------|----------|
| Unit Name | タイプB     |
| Item No.  | SGF-0348 |



|                |                     |        |        |         |          |     |  |
|----------------|---------------------|--------|--------|---------|----------|-----|--|
| CUSTOMER / 顧客名 |                     |        |        |         | 殿向       |     |  |
| SCALE<br>1:5   | DATE<br>2020/Apr/23 | DRAWN① | DRAWN② | CHECKED | APPROVED |     |  |
| DWG No.        |                     |        |        |         | REV.     | 2/2 |  |

|     |      |      |          |         |                        |             |   |
|-----|------|------|----------|---------|------------------------|-------------|---|
| ④   |      |      |          |         | ASSEMBLY NAME          | デスク用パーティション | ⊕ |
| ③   |      |      |          |         |                        |             |   |
| ②   |      |      |          |         |                        |             |   |
| ①   |      |      |          |         |                        |             |   |
| No. | DATE | NAME | REVISION | CHECKED | <b>SUS Corporation</b> |             |   |