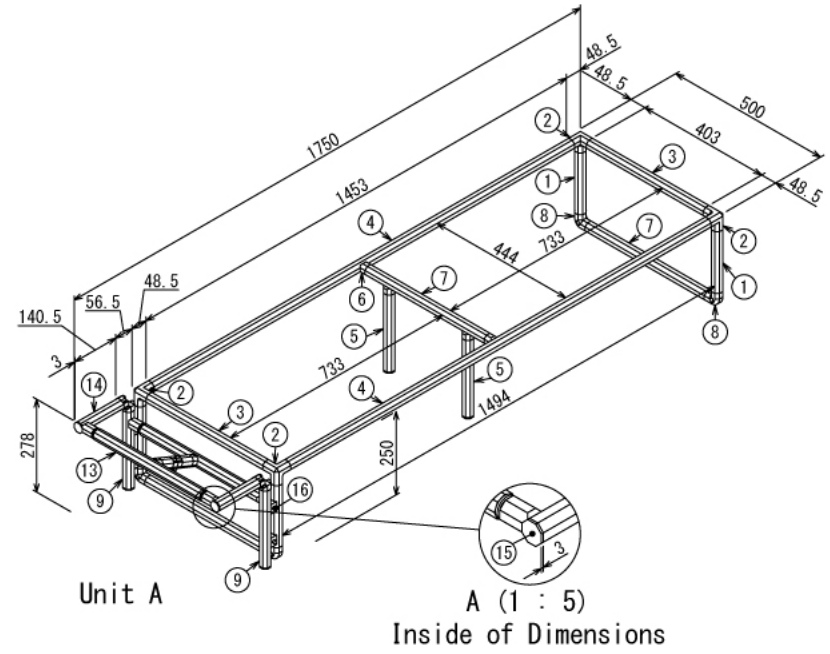
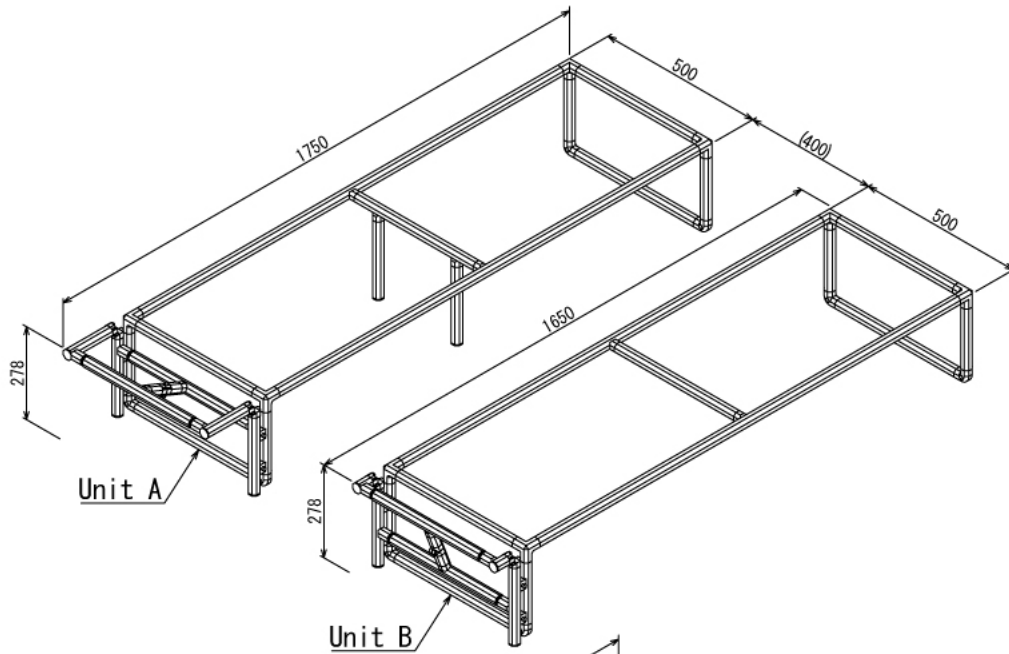




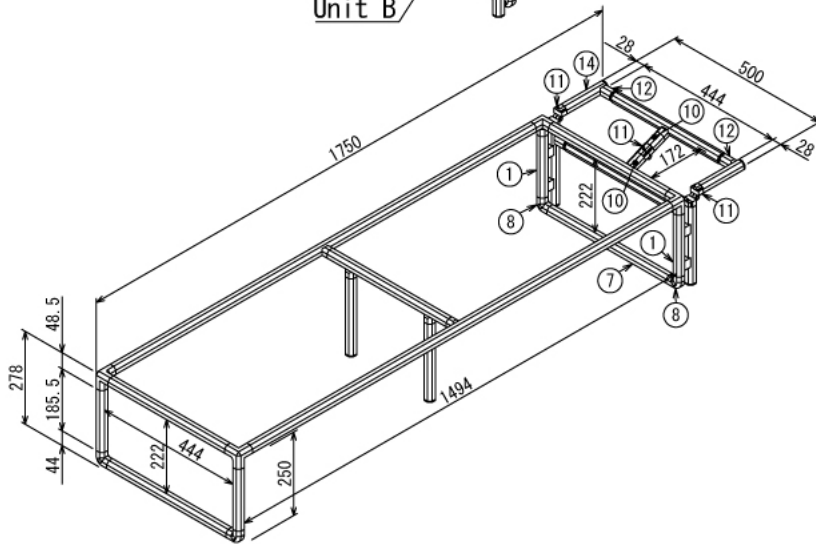
自動車

伸縮ベッド

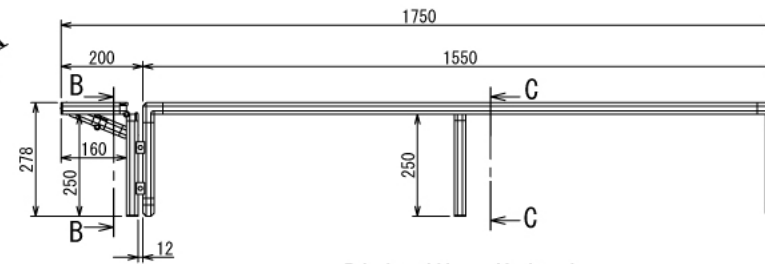
W1000 × D1750 × H278 mm



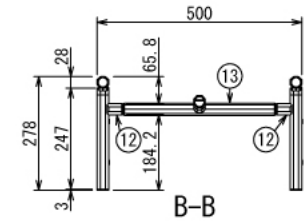
A (1 : 5)
Inside of Dimensions



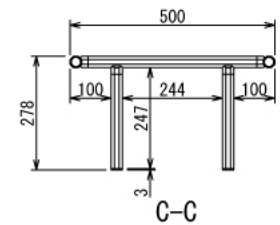
Rear View Unit A



Right View Unit A



B-B



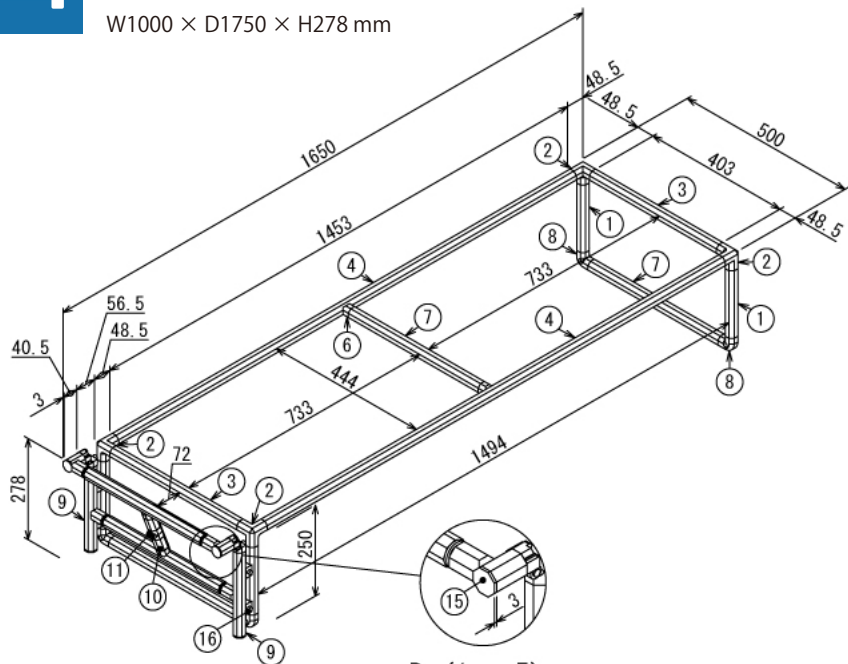
C-C



自動車

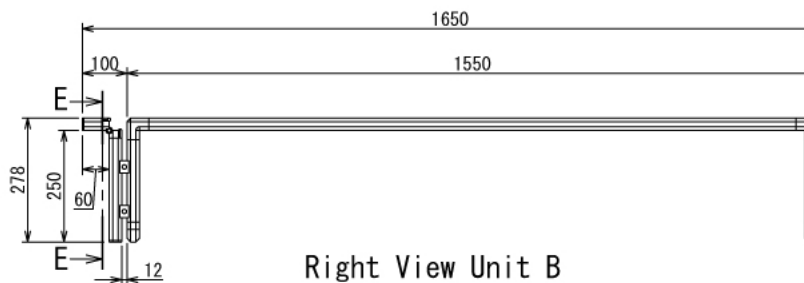
伸縮ベッド

W1000 × D1750 × H278 mm

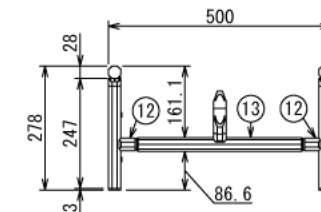


Unit B

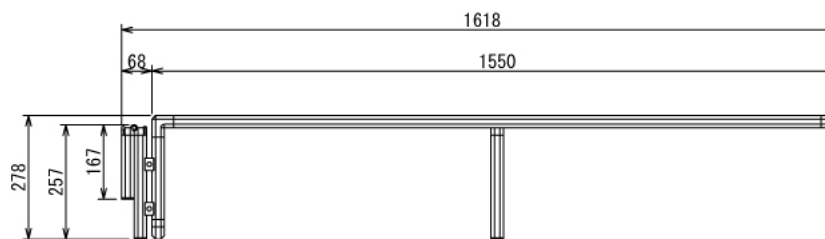
D (1 : 5)
Inside of Dimensions



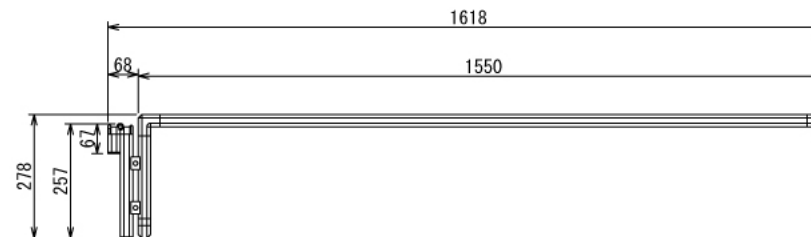
Right View Unit B



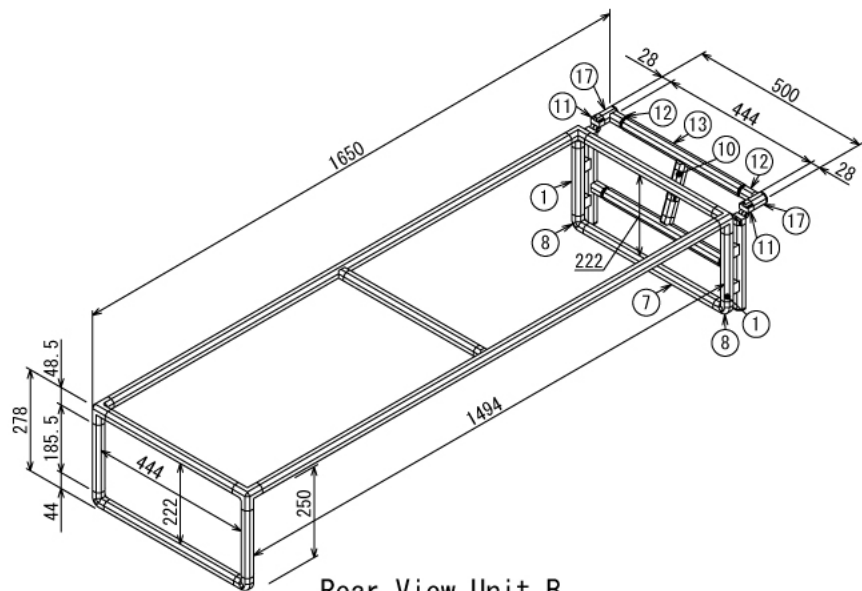
E-E



Right View Unit A (Folded)



Right View Unit B (Folded)



Rear View Unit B